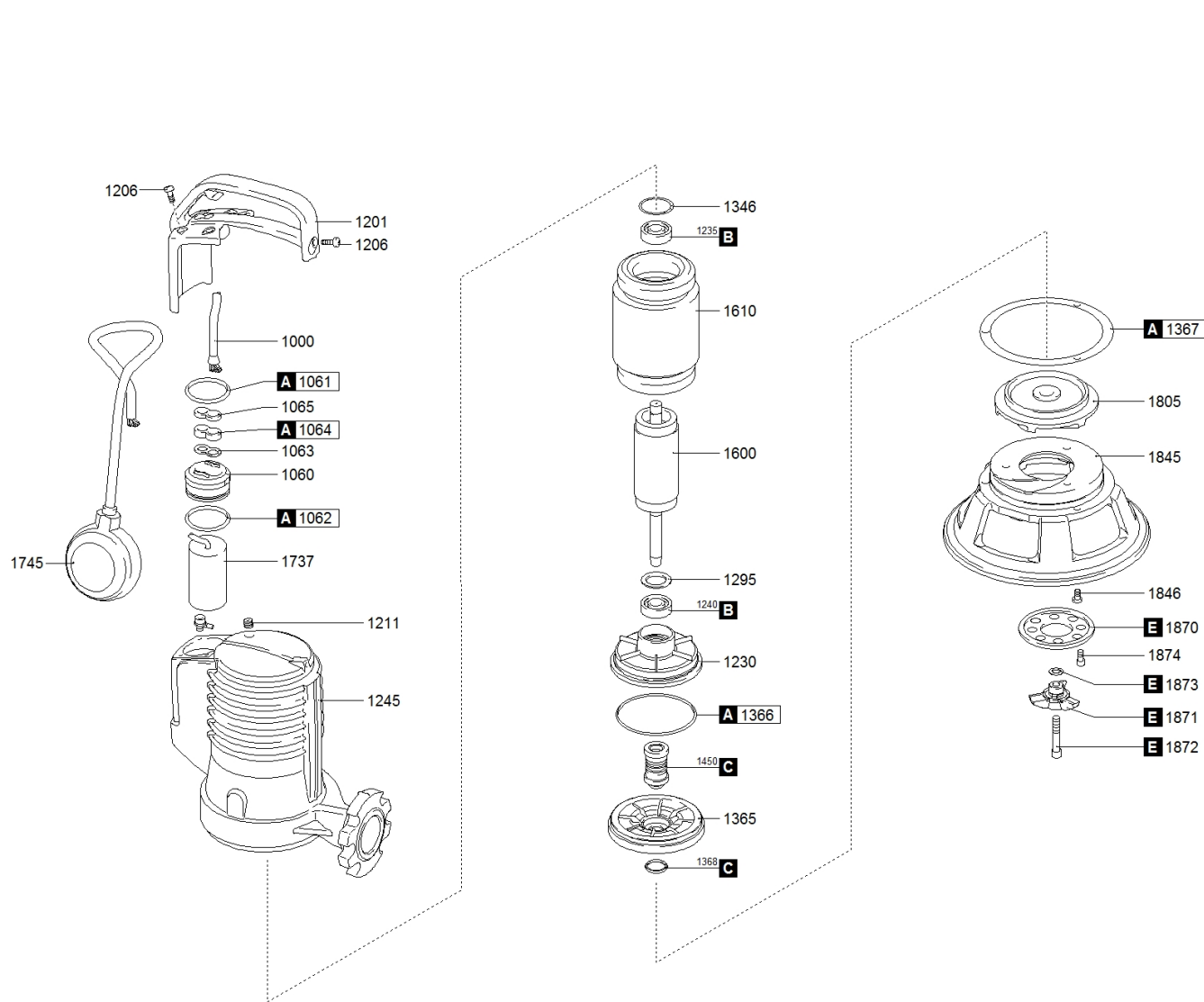


1120.013 - GRBLUEP 200/2/G40H A1CM5 NGDCB51023NW0CX



BluePRO 107  
GR G40H 01A



water solutions



1120.013 - GRBLUEP 200/2/G40H A1CM5 NGDCB51023NW0CX

	Code	Description	Q.ty	Price (€)
A	601008001	GASKETS KIT	1	801156
C	602008051	MECHANICAL SEALS KIT	1	711038
E	603008001	CUTTING SYSTEM KIT	1	801140
1000	250102404010000000	POWER CABLE	1	
1060	239768026156	HOLDER [CABLE GLAND]	1	805885
1061	271770412835300000	UPPER GASKET - HOLDER [CABLE GLAND]	1	711030
1062	271770040952620000	LOWER GASKET - HOLDER [CABLE GLAND]	1	
1063	235467024280	CABLE STOP	2	
1063	2732001100000	CABLE STOP	1	
1064	235678024238	RUBBER GASKET	1	
1065	235467024241	CABLE GLAND	1	805884
1201	235361024325	CABLE GLAND HANDLE	1	804984
1206	270830510140400000	SCREW [CABLE GLAND HANDLE >> COVER]	5	
1211	270139510104000000	CAP [TIGHTNESS TEST]	1	802099
1230	230556323604	LOWER BEARING HOLDER	1	
1235	2729062030200000	UPPER BEARING	1	711360 OR 802083
1240	2729063050400000	LOWER BEARING	1	710969
1245	231016324969	MOTOR CASE	1	
1295	270220250352000000	UPPER DISTANCE RING [LOWER BEARING]	1	
1346	27542039100000	WAVE SPRING	1	802283
1365	2391120025023609	MECHANICAL SEAL FLANGE	1	
1366	271770107035000000	GASKET [LOWER BEARING HOLDER >> MECHANICAL SEAL FLANGE]	1	
1367	2750914423934	GASKET [MECHANICAL SEAL FLANGE >> BASE]	5	
1368	237970160220600000	V-RING [MECHANICAL SEAL FLANGE]	1	
1450	230005040180000000	MECHANICAL SEAL	1	802308
1600	230233612023760	SHAFT WITH ROTOR	1	
1610	231101201001000000	WOUND STATOR	1	711046 OR 802368
1737	2517028100000	CAPACITOR	1	711022
1737	2517092000000	CAPACITOR	1	710988
1805	21411501000523670	IMPELLER	1	805771
1845	2145114423590	BASE	1	804669
1846	270830610203200000	SCREW [BASE >> MOTOR CASE]	3	
1870	211720624144	CUTTING DISK	1	
1871	211630824027	CHOPPER KNIFE	1	
1872	270830610453200000	LOCKING CHOPPER KNIFE	1	
1873	270620120180200000	WASHER [CHOPPER KNIFE ]	4	711051
1874	270830610123200000	SCREW [CUTTING DISK >> PUMP BODY]	3	802092

